

# Insta-Valve 250 Patriot™

Valve Insertion System - 4, 6, 8, 10, 12 inch Nominal Sizes

## Material Specifications:

**Body Armor Shields:** 16 gauge 304 Stainless Steel (4 - 8" only).

**Body Mounting Bolts:** 304 Stainless Steel. 5/8-11 UNC6. Optional Domestic 304 Stainless Steel 5/8-11 UNC6 available.

**Body Sealing Gasket:** BUNA-N Rubber.

**Body:** 304 Stainless Steel.

**Bonnet and Body Mounting nuts:** 304 Stainless Steel. Nuts coated to prevent galling. Optional Domestic 304 Stainless Steel available.

**Bonnet Bolts:** 304 Stainless Steel. 5/8" UNC rolled thread. Optional Domestic 304 Stainless Steel available.

**Bonnet:** Epoxy coated carbon steel. Optional Domestic 304 Stainless Steel available.

**Cartridge Seal:** EPDM

**Completion Pin:** 304 Stainless Steel. Coated to prevent galling.

**Completion Pin Washer:** BUNA-N Rubber

**Completion Pin O-ring:** BUNA-N Rubber

**Completion Plug O-ring:** BUNA-N Rubber.

**Auto Equalization Check Valve:** 304 Stainless Steel

**Completion Plug:** Reinforced Composite Polymer

**Flange O-Ring:** BUNA-N Rubber.

**Flange:** 304 Stainless Steel.

**IV 250 Valve Cartridge:** Reinforced Composite Polymer.

**Mounting Body – Bottom:**

4 - 8" 14 gauge 304 Stainless Steel, 10 - 12" 7 gauge 304 Stainless Steel.

**Mounting Body – Top:**

4 - 8" 11 gauge 304 Stainless Steel, 10 - 12" 10 gauge 304 Stainless Steel.

**Mounting Lugs:** 304 Stainless Steel.

**Operating Nut:** Steel, Cast.

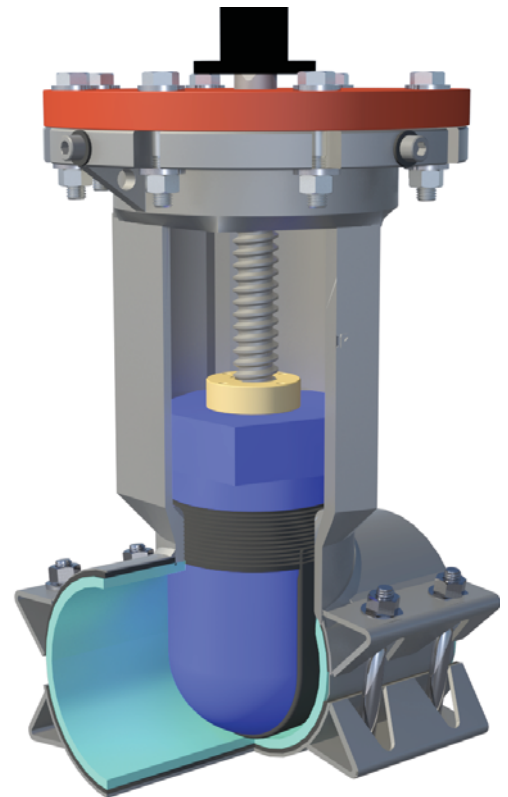
**Resilient Wedge:** Reinforced EPDM.

**Stem Collar:** No Lead Brass.

**Valve Body:** 304 Stainless Steel

**Valve Stem:** 304 Stainless Steel.

**Washers:** 5/8" 304 Stainless Steel. Optional Domestic 304 Stainless Steel available.



## Design Specifications:

**Factory Pressure Test:** Each IV 250 Patriot Valve is pressure tested and serialized for traceability before leaving our manufacturing facility.

**Integrated Lifting Gussets:** Incorporated to facilitate safe handling.

**IV 250 Test and Working Pressures:** 250 psi working pressure. 375 psi test pressure max.

**Welds:** Welds fully passivated for improved corrosion resistance.

The 4-12" Insta-Valve 250 Patriot is NSF/ANSI Standard 61 and NSF/ANSI Standard 372 to meet the regulatory requirements for the U.S. and Canada assuring safe use in drinking water systems.

The Insta-Valve 250 Patriot Insertion Valve is manufactured in the USA and meets requirements specified in the "Buy American Act" and the "American Iron and Steel" requirements. Meets "Made in USA" and "Buy America" requirements with the additional purchase of stainless steel domestic hardware.

Covered by United States Patent No. 9,829,141,B2 and United States Patent No. 9,644,779,B2. Additional Patents Pending.

