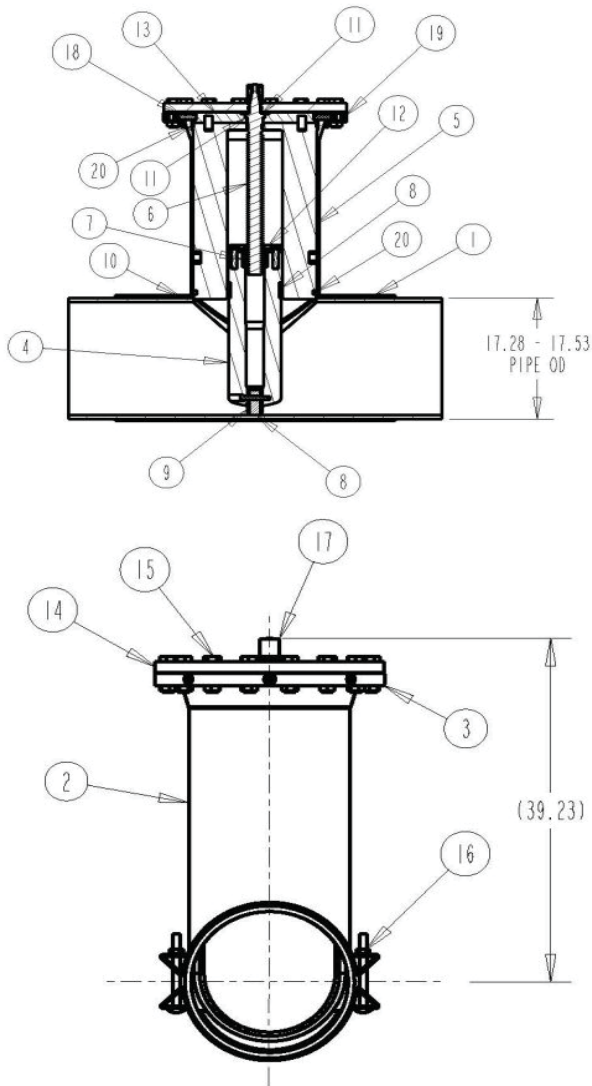


IVP250

Valve Insertion System - 16 inch Nominal Size

Product Cut-Sheet



ITEM	DESCRIPTION	MATERIAL
1	VALVE BODY CLAMP	STAINLESS STEEL
2	VALVE BODY BRANCH	STAINLESS STEEL
3	VALVE BODY FLANGE	STEEL (PAINTED)
4	GATE*	CAST NYLON
5	GATE HOUSING	CAST NYLON
6	VALVE STEM**	STAINLESS STEEL
7	STEM NUT	ALUMINUM BRONZE
8	GATE SEALS	EPDM
9	PADDLE SHIELD	ALUMINUM (ANODIZED)
10	VALVE BODY GASKET	BUNA-N/EPDM
11	THRUST WASHERS (2)	ACETAL
12	RETENTION PLATE	ALUMINUM
13	COMPLETION PLUG	ALUMINUM
14	TOP FLANGE***	STEEL (EPOXY COATED)
15	FLANGE NUTS AND BOLTS	STEEL (GALVANIZED)
16	VALVE BODY NUTS, BOLTS, AND WASHERS	STAINLESS STEEL
17	OPERATING NUT****	DUCTILE IRON (PAINTED)
18	PINS (8)	STEEL (ZINC PLATED)/ BUNA-N
19	PLUGS (8)	STEEL (PAINTED)
20	GATE HOUSING O-RINGS (2)	BUNA-N

* CONTAINS STAINLESS STEEL AND ZINC PLATED STEEL HARDWARE

** SEALS: TWO BUNA-N O-RINGS

*** SEALS: BUNA-N X-RING AND BUNA-N/URETHANE LIP SEAL

**** SECURED TO VALVE STEM WITH STAINLESS STEEL NUT AND ZINC PLATED STEEL LOCK WASHER

OPTIONS AVAILABLE:

Open Direction: Left(C.C.W.) Right(C.W.)

Approved by:

Name: _____

Title: _____

Date: ____/____/____