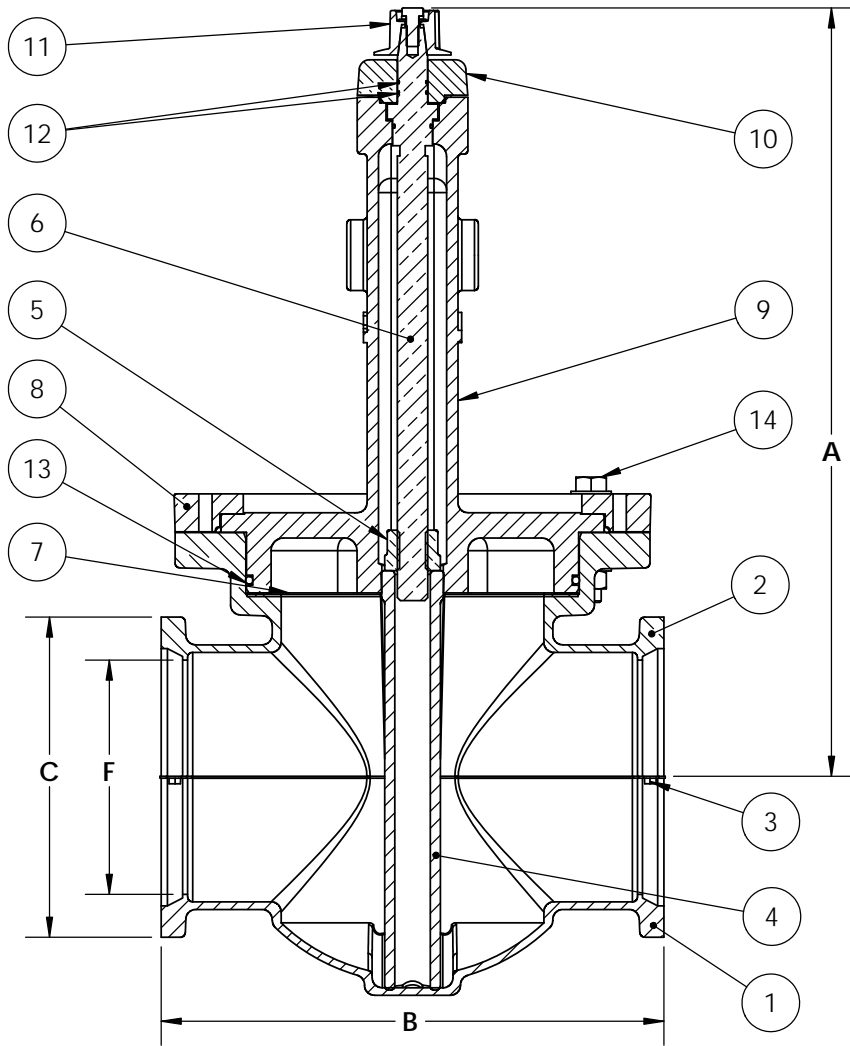


## InsertValve™ RW - Gate Sizes 4" - 12"



NO.	PART	MATERIAL
1	Valve Body Bottom	Ductile Iron ASTM A536 65-45-12
2	Valve Body Top	Ductile Iron ASTM A536 65-45-12
3	Valve Body Gasket	EPDM Rubber
4	Resilient Wedge Gate	Ductile Iron ASTM A536 65-45-12 *
5	Stem Nut	Bronze ASTM B584
6	Valve Stem	Bronze ASTM B584
7	Bonnet Gasket	EPDM Rubber
8	Bonnet Retainer Ring	Ductile Iron ASTM A536 65-45-12
9	Bonnet	Ductile Iron ASTM A536 65-45-12
10	Stem Gland	Ductile Iron ASTM A536 65-45-12
11	2" Operator Nut	Ductile Iron ASTM A536 65-45-12
12	Stem O-rings	EPDM Rubber
13	Bonnet O-ring	EPDM Rubber
14	Bonnet Bolts/Nuts/Washers	Zinc Plated Steel or 304SS (optional)
	Valve Body Bolts/Nuts/Washers	Zinc Plated Steel or 304SS (optional)
	Stem Gland Bolts	Zinc Plated Steel or 304SS (optional)
		*EPDM Encapsulated ASTM D429

Nominal Size	4"	6"	8"	10"	12"
A (mm)	21 1/2" (546)	24 1/4" (616)	29" (737)	38" (965)	41 1/2" (1054)
B (mm)	16" (406)	18" (457)	20" (508)	25" (635)	30" (762)
C (mm)	9 1/2" (241)	11 1/4" (286)	13 1/2" (343)	15 3/4" (400)	18" (457)
F (mm)	4.5" - 5.26" (114 - 134)	6.63" - 7.2" (168 - 183)	8.63" - 9.3" (219 - 236)	10.75" - 11.3" (273 - 287)	12.75" - 13.42" (324 - 341)
G (mm)	13 1/4" (337)	15 1/4" (387)	17 1/2" (445)	21" (533)	24" (610)
H (mm)	13 1/2" (343)	16" (406)	19" (483)	23 1/2" (597)	27 1/2" (699)
Weight (approx.)	260 LBS 118 kg	320 LBS 145 kg	450 LBS 204kg	1000 LBS 454 kg	1300 LBS 590 kg

